

1/4" Triple Square Socket Driver



1/4" Torx, Tamper Resistant



1/4" Flat Tip Socket Driver, Standard



Stock No.	Size (inches)	Size (mm)	Length (mm)	Order No.
BLPFT144	5/32	4	37	301118
BLPFT145.5	7/32	5.5	37	301119
BLPFT146.5	9/32	6.5	37	301120

Stock No.	Size (mm)	Length (mm)	Order No.
BLPXZN144	4	27	301132
BLPXZN145	5	27	301133
BLPXZN146	6	27	301134
BLPXZN148	8	27	301135
BLPXZN1410	10	27	301136
BLPXZN1412	12	27	301137

Stock No.	Square Drive (inches)	A	#	Order No.
BLPT146TP	1/4	1 7/16	T6	301138
BLPT147TP	1/4	1 7/16	T7	301139
BLPT148TP	1/4	1 7/16	T8	301140
BLPT149TP	1/4	1 7/16	T9	301141
BLPT1410TP	1/4	1 7/16	T10	301142
BLPT1415TP	1/4	1 7/16	T15	301143
BLPT1420TP	1/4	1 7/16	T20	301144
BLPT1425TP	1/4	1 7/16	T25	301145
BLPT1427TP	1/4	1 7/16	T27	301146
BLPT1430TP	1/4	1 7/16	T30	301147

1/4" Flat Tip Socket Driver, Short



Stock No.	Size (inches)	Length (mm)	Order No.
BLPFS01414	1/4	19	301121
BLPFS01438	3/8	19	301122

- Manufactured from high grade steel alloy
- Features a Lifetime Warranty and exceeds ANSI Standards

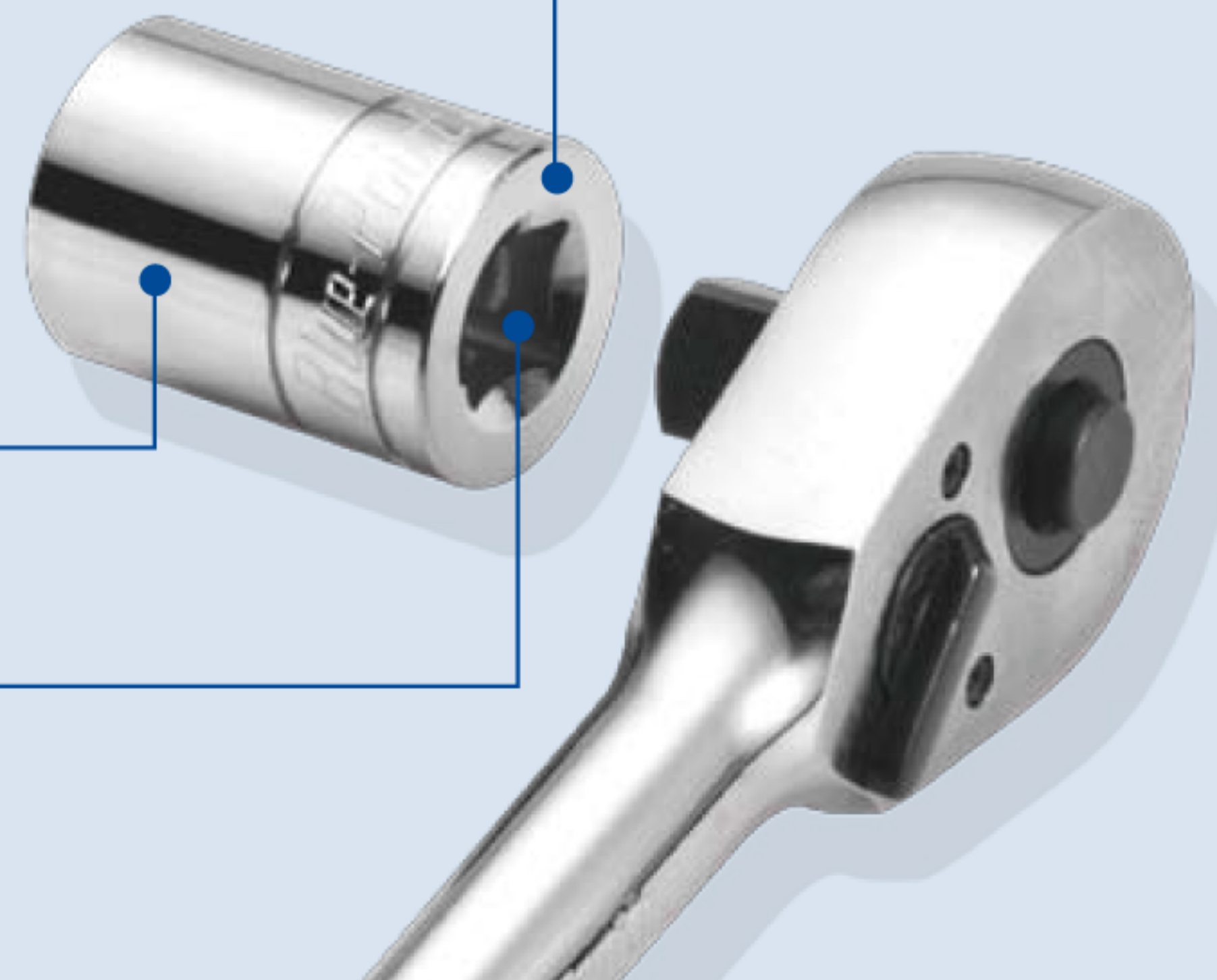
3/8" Socket



Flank-Drive features optimal contact point and angle

Optimal heat treatment & material composition for strength & durability

Thinner walls to reach better into smaller recesses



3/8" Socket



Stock No.	Size (mm)	Length (mm)	Order No.	Stock No.	Size (mm)	Length (mm)	Order No.
BLPSM386	6	25.5	302001	BLPSM3816	16	27	302011
BLPSM387	7	25.5	302002	BLPSM3817	17	27	302012
BLPSM388	8	25.5	302003	BLPSM3818	18	27	302013
BLPSM389	9	25.5	302004	BLPSM3819	19	29	302014
BLPSM3810	10	25.5	302005	BLPSM3820	20	29	302015
BLPSM3811	11	25.5	302006	BLPSM3821	21	29	302016
BLPSM3812	12	25.5	302007	BLPSM3822	22	31	302017
BLPSM3813	13	25.5	302008	BLPSM3823	23	31	302018
BLPSM3814	14	27	302009	BLPSM3824	24	31	302019
BLPSM3815	15	27	302010				

- Manufactured from high grade steel alloy
- Features a Lifetime Warranty and exceeds ANSI Standards

3/8" Long Socket



Stock No.	Size (mm)	Length (mm)	Order No.	Stock No.	Size (mm)	Length (mm)	Order No.
BLPLM386	6	64	302020	BLPLM3816	16	64	302030
BLPLM387	7	64	302021	BLPLM3817	17	64	302031
BLPLM388	8	64	302022	BLPLM3818	18	64	302032
BLPLM389	9	64	302023	BLPLM3819	19	64	302033
BLPLM3810	10	64	302024	BLPLM3820	20	64	302034
BLPLM3811	11	64	302025	BLPLM3821	21	64	302035
BLPLM3812	12	64	302026	BLPLM3822	22	64	302036
BLPLM3813	13	64	302027	BLPLM3823	23	64	302037
BLPLM3814	14	64	302028	BLPLM3824	24	64	302038
BLPLM3815	15	64	302029				

3/8" Socket



Stock No.	Size (inches)	Length (mm)	Order No.
BLPS3814	1/4	25	302039
BLPS3815	5/16	25	302040
BLPS3838	3/8	25	302041
BLPS38716	7/16	25	302042
BLPS3812	1/2	25	302043
BLPS38916	9/16	27	302044
BLPS3858	5/8	27	302045
BLPS381116	11/16	27	302046
BLPS3834	3/4	29	302047
BLPS381316	13/16	29	302048
BLPS3878	7/8	29	302049
BLPS381516	15/16	29	302050
BLPS381	1	29	302051

3/8" Long Socket



Stock No.	Size (inches)	Length (mm)	Order No.
BLPL3814	1/4	64	302052
BLPL3815	5/16	64	302053
BLPL3838	3/8	64	302054
BLPL38716	7/16	64	302055
BLPL3812	1/2	64	302056
BLPL38916	9/16	64	302057
BLPL3858	5/8	64	302058
BLPL381116	11/16	64	302059
BLPL3834	3/4	64	302060
BLPL381316	13/16	64	302061
BLPL3878	7/8	64	302062
BLPL381516	15/16	64	302063
BLPL381	1	64	302064

3/8" External Torx® Socket



Stock No.	Size	Length (mm)	Order No.
BLPTE384	E4	31	302065
BLPTE385	E5	31	302066
BLPTE386	E6	31	302067
BLPTE387	E7	31	302068
BLPTE388	E8	31	302069
BLPTE3810	E10	31	302070
BLPTE3811	E11	31	302071
BLPTE3812	E12	31	302072
BLPTE3814	E14	31	302073
BLPTE3816	E16	31	302074
BLPTE3818	E18	31	302075
BLPTE3820	E20	31	302076

- Manufactured from high grade steel alloy
- Features a Lifetime Warranty and exceeds ANSI Standards